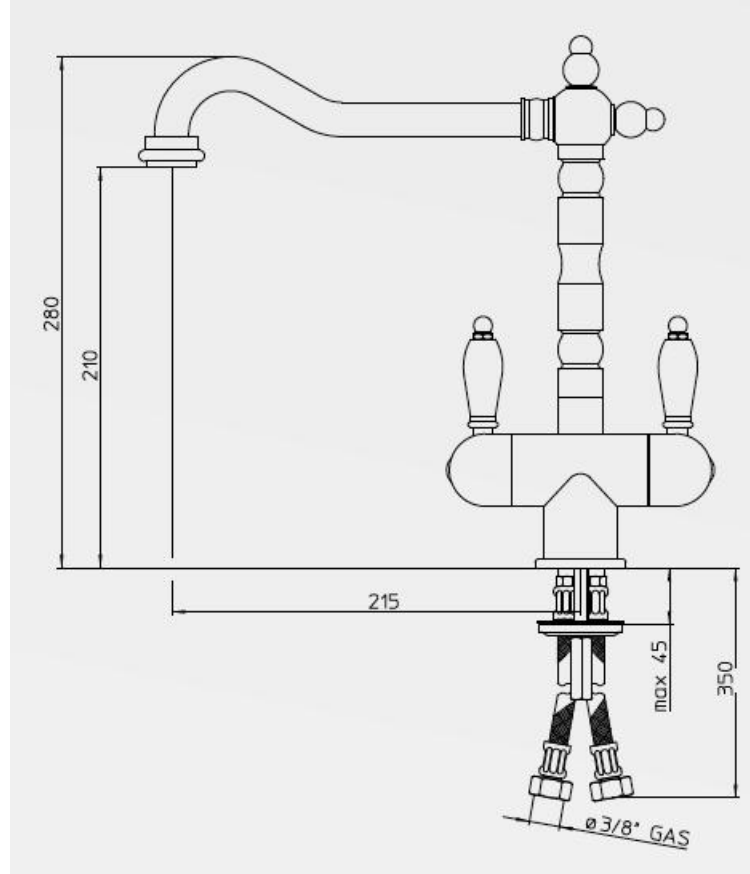


## Francès Twin Mixer - Brushed Nickel

**Code:** 18117BN5



TRADITIONAL & HAMPTONS STYLE SPECIALISTS

BATHROOM | KITCHEN | LAUNDRY

### Specifications

- Material: Brass
- Finish: Brushed Nickel
- Ceramic Disc Quarter Turn Spindles
- WELS Rating: 4 Star (7.5L/min) (R:T21309)
- Watermark approved to Australian Standards
- Swivel Spout

### Warranty

For peace of mind, Turner Hastings offers the following warranty on this product and its components:

Body, handles and finish - 15 years

Spindles - 5 years

For more details, [click here](#) to refer to our warranty page.