

GENERAL INFO

FILTRATION AND ULTRAVIOLET ALL-IN-ONE UNIT WITH REVERSIBLE BRACKET

Provides safe and bacteria-free water for your whole house.

Suited to small to large households, these systems are designed for both mains and rainwater supply. This unit can be installed from **left to right** or **right to left** depending on the installation requirements.

FEATURES & BENEFITS

- Reduces sediment, chemicals including chlorine, bad taste and odour. (Hybrid R1 & R2 Models).
- Reduces sediment, silt, sludge, dirt, rust, coarse & fine particles. (Hybrid R3 & R4 Models).
- Reversible mounting bracket for easy installation. This unit can be installed from left to right or right to left depending on the installation requirements.
- Kills 99.99% of E. coli, Giardia and Cryptosporidium cysts with Radfire™ ultraviolet technology, a natural purification process that's completely eco-friendly and chemical free.
- Quick and easy plug-and-play installation.
- Turns your tank and mains water into pure, safe, delicious drinking water.
- Filtration and ultraviolet all-in-one unit.
- Equipped with a lamp count-down timer and alarm.
- Anti-corrosion construction.



HYBRID-R1 (AU MODEL)
10", 1 connection, max. flow: 75 Lpm

HYBRID-R2 (AU MODEL)
20", 1 connection, max. flow: 130 Lpm

HYBRID-R3 (NZ MODEL)
10", 1 connection, max. flow: 75 Lpm

HYBRID-R4 (NZ MODEL)
20", 1 connection, max. flow: 130 Lpm

Ordering Code:	HYBRID-R1 (AU MODEL)	HYBRID-R2 (AU MODEL)	HYBRID-R3 (NZ MODEL)	HYBRID-R4 (NZ MODEL)
----------------	-------------------------	-------------------------	-------------------------	-------------------------

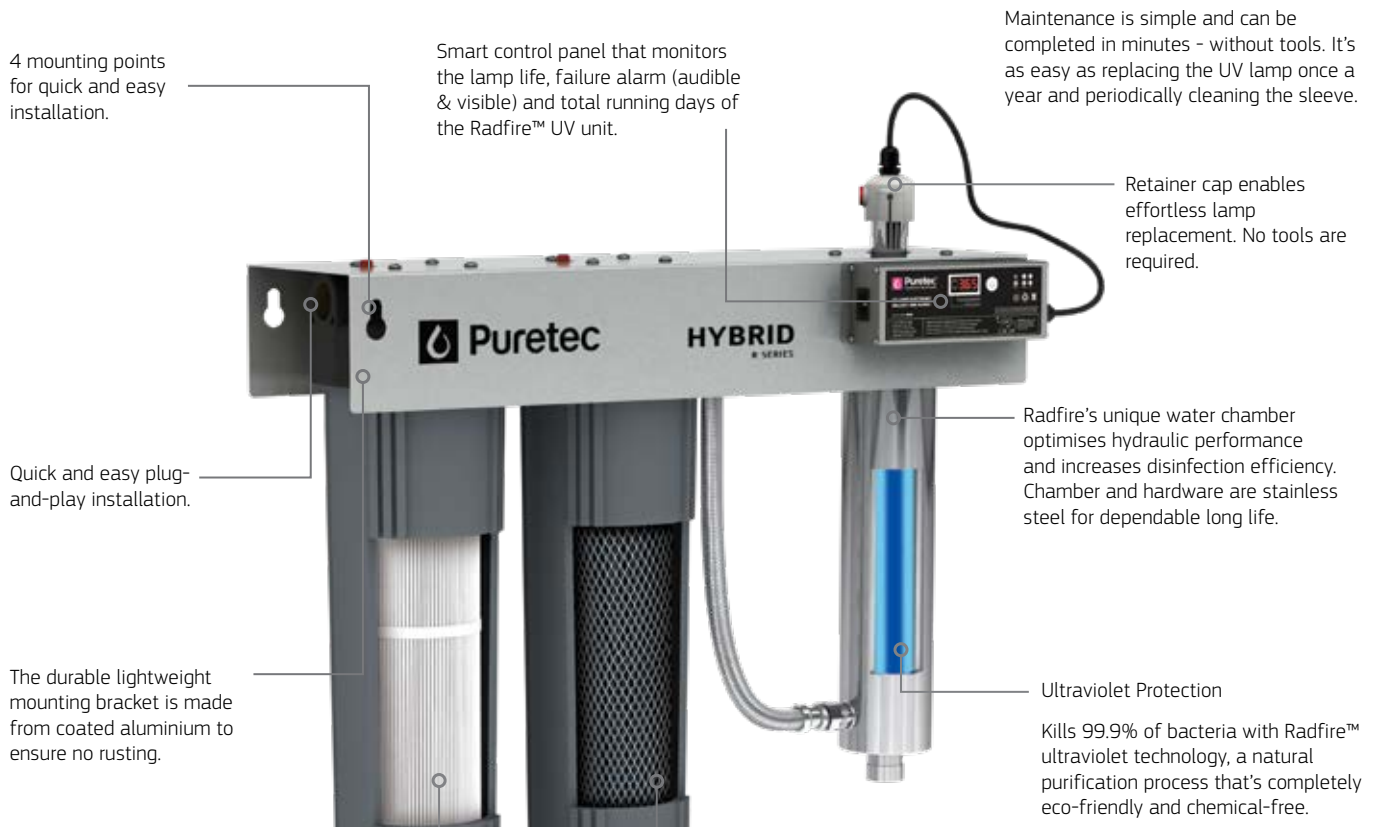
Replacement parts and cartridges:

Stage 1 filtration:	PL05MP1	PL05MP2	PL20MP1	PL20MP2
Stage 2 filtration:	DP10MP1	DP10MP2	PX01MP1	PX01MP2
UV lamp, 46 W	RL6	RL6	RL6	RL6
Quartz sleeve:	RQS6	RQS6	RQS6	RQS6
Flow rate @40mJ/cm2:	54 Lpm	54 Lpm	54 Lpm	54 Lpm
Flow rate @30mJ/cm2:	70 Lpm	70 Lpm	70 Lpm	70 Lpm
Flow rate @16mJ/cm2:	130 Lpm	130 Lpm	130 Lpm	130 Lpm
Connection:	1" BSP [25mm]	1" BSP [25mm]	1" BSP [25mm]	1" BSP [25mm]
Supply pressure:	300 - 875* kPa			
Water temperature range:	0 - 52°C (protect from freezing)			
Installation note:	The Hybrid R Series needs to be installed where it is protected from the weather. For outside installations use the Hybrid G Series.			
Warranty:	3 years^			

Important Note: Use only genuine Puretec replacement cartridges. Flow rate @30mJ/cm² is the industry standard for drinking water. Puretec Hybrid UV systems are designed for common rainwater. The effectiveness of a UV system is dependent on the clarity of water present. If you are unsure of the clarity of your water Puretec can arrange a UVT test to verify that no further filtration is required before the UV. Contact Puretec on 1300 140 140 (AU) or 0800 130 140 (NZ) for further information on this. * Where line pressure exceeds 500 kPa, an approved pressure limiting device must be installed to comply with Australian & New Zealand Plumbing Standards. (Ref. AS/NZS 3500.1:2021, Clause 3.3.4).

For more information contact your local stockist or visit us at puretecgroupp.com Australia **1300 140 140** | New Zealand **0800 130 140**

DIAGRAM & FILTRATION TECHNOLOGY



Stage 1 Filtration

HYBRID R1 & R2 MODELS

A washable 5 micron sediment removal filter to remove silt, sludge, dirt and rust.

HYBRID R3 & R4 MODELS

A washable 20 micron sediment filter to remove silt, sludge, dirt, rust and other coarse particles.

Stage 2 Filtration

HYBRID R1 & R2 MODELS

A carbon cartridge that reduces bad taste, odour and chemicals in your water.

HYBRID R3 & R4 MODELS

A solid 1 micron filter to remove fine particles.



WMTS103:2016
Certificate No. WM 74593
Australian Certification Services



Reversible Installation Option

This unit can be installed from left to right or right to left depending on the installation requirements.

The Hybrid R Series needs to be installed where it is protected from the weather. For outside installations use the Hybrid G Series.



Dual Stage Filtration with UV Protection

Highly effective and efficient at removing dirt, rust, sediment, bad taste and odour in your water, providing good general purpose filtration.

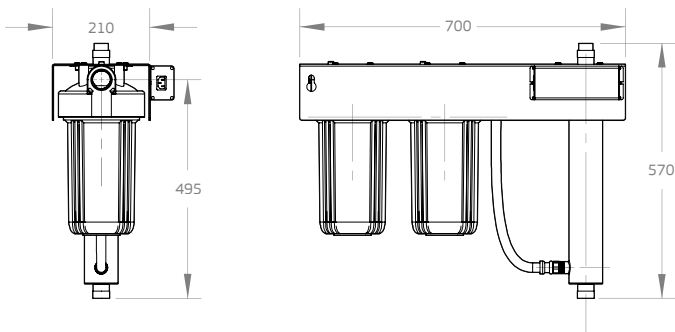
OPTIONAL EXTRAS



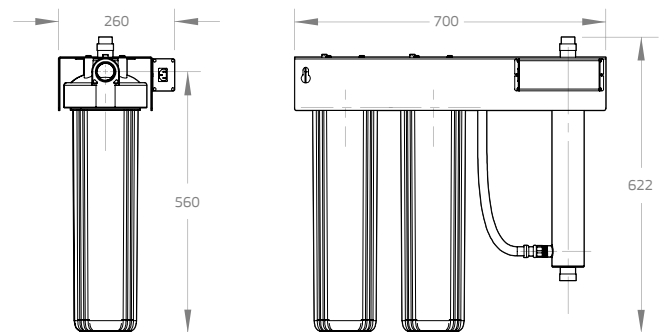
Ordering Code:	Description	Suits
PC-HYBRID-3M	Hybrid series power cord, 3 metres, for applications where a longer cord is required.	Hybrid G, R & P series

PRODUCT DIMENSIONS Measurements in Millimeters (mm)

HYBRID R1 & R3



HYBRID R2 & R4



ADDITIONAL INFORMATION

Where the water being treated contains unusually high levels of dissolved solids particularly hard water, iron, manganese or biological organisms, a deposit build up on the quartz sleeve may occur over time. Maximum recommended parameters are as follows:

Iron:	less than 0.3 mg/L
Hydrogen Sulphide:	less than 0.05 mg/L
Suspended Solids:	less than 10mg/L
Manganese:	less than 0.05 mg/L
Hardness:	less than 110mg/L



WaterMark

WMTS103:2016
Licence No. WM 74593
Australian Certification Services

- Note:**
1. No claims can be made based on the specifications and images in this document. The design, technology, colours, features and prices are subject to change.
 2. This document and all its contents are copyright protected. All rights are reserved, particularly alteration, translation and reproduction using electronic systems.
 3. Warranties in this document cover parts for the period stated and include cover for parts and labour for the first year where applicable, subject to approval. Plus 2 years parts only. Our Water Filtration Specialists can provide you with advice to suit your needs.
 4. The Hybrid R Series needs to be installed where it is protected from the weather. For outside installations use the Hybrid G Series.