

## KARA WALL MIXER



### SPECIFICATION

PRODUCT CODE	YSW2117-07A
WELS RATING	5 STAR 6L/MIN
WATERMARK LICENSE	WM-060073
TEMPERATURE RATING	MIN 1°C-MAX 75°C
PRESSURE RATING	MIN 150KPa-MAX 500KPa

### FINISH

NR211707aCH	chrome
NR211707aMB	matt black
NR211707aBN	brushed nickel
NR211707aGM	gun metal
NR211707aBG	brushed gold

### MAINTENANCE AND CARE

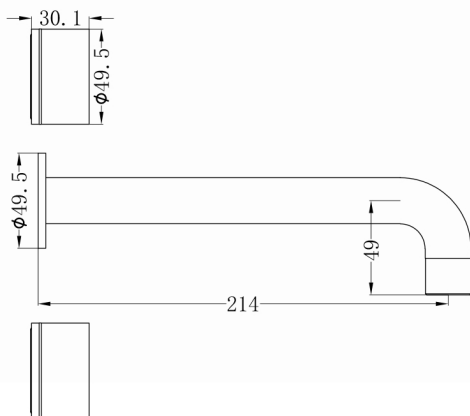
All surfaces should be cleaned with mild liquid detergent or soap and water.

Do not use cream cleaners or citrus based cleaning products, as they are abrasive.

Use of unsuitable cleaning agents may damage the surface. Any damage caused in this way will not be covered by warranty.

### PACKAGING INCLUDES

- 1x spout
- 1x spout plate
- 1x POM washer (for spout)
- 2x handwheel
- 2x valve
- 1x allen key
- 1x spout
- 1x cartridge cutting metric block



Dimensions are nominal measurements only.



Versions: 2019.12

