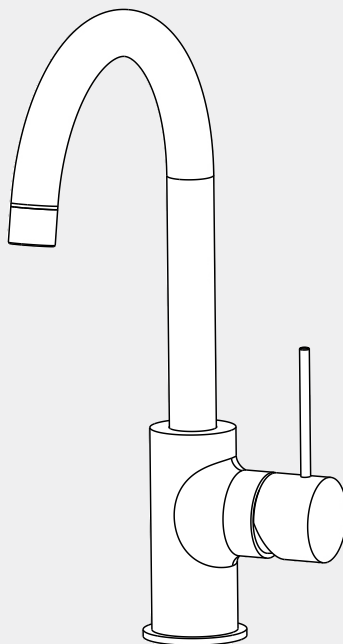


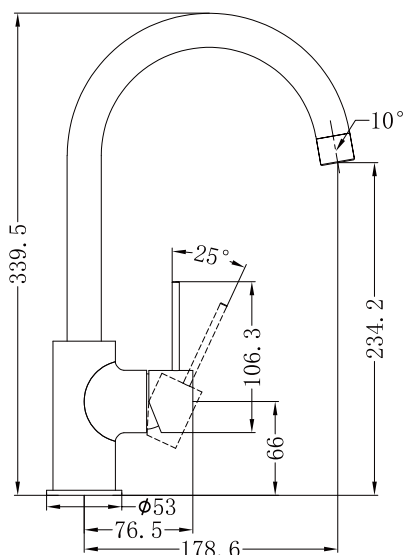
Mecca Kitchen Mixer

Nero



Versions:202311

Drawing



Specifications

SKU

NR221907

Watermark License

WM-060073








Temperature Rating

Min 1°C-Max 75°C

Pressure Rating

Min 150kpa - Max 500kpa

Finish

 Chrome NR221907CH	 Gun Metal NR221907GM	 Brushed Bronze NR221907BZ	 Brushed Nickel NR221907BN
 Matte Black NR221907MB	 Brushed Gold NR221907BG	 Matte White NR221907MW	

Packaging Includes

1x Kitchen Mixer
2x Flexible Hoses
1x Triangle Plate

*Dimensions are nominal measurements only.

Installation Instruction

IMPORTANT: Read all instructions before installing.

General:

Nero recommends this product is installed by a licensed plumber in compliance with all relevant regional regulations.

Do not hydrostatic test the installation with this mixer installed. Damage to the ceramic cartridge may occur.

All pipe work must be thoroughly flushed prior to the installation of the mixer.

In-line filters must be fitted on both hot and cold supplies to prevent foreign particles damaging the ceramic cartridge.

Do not remove the ceramic cartridge from the mixer when installing.

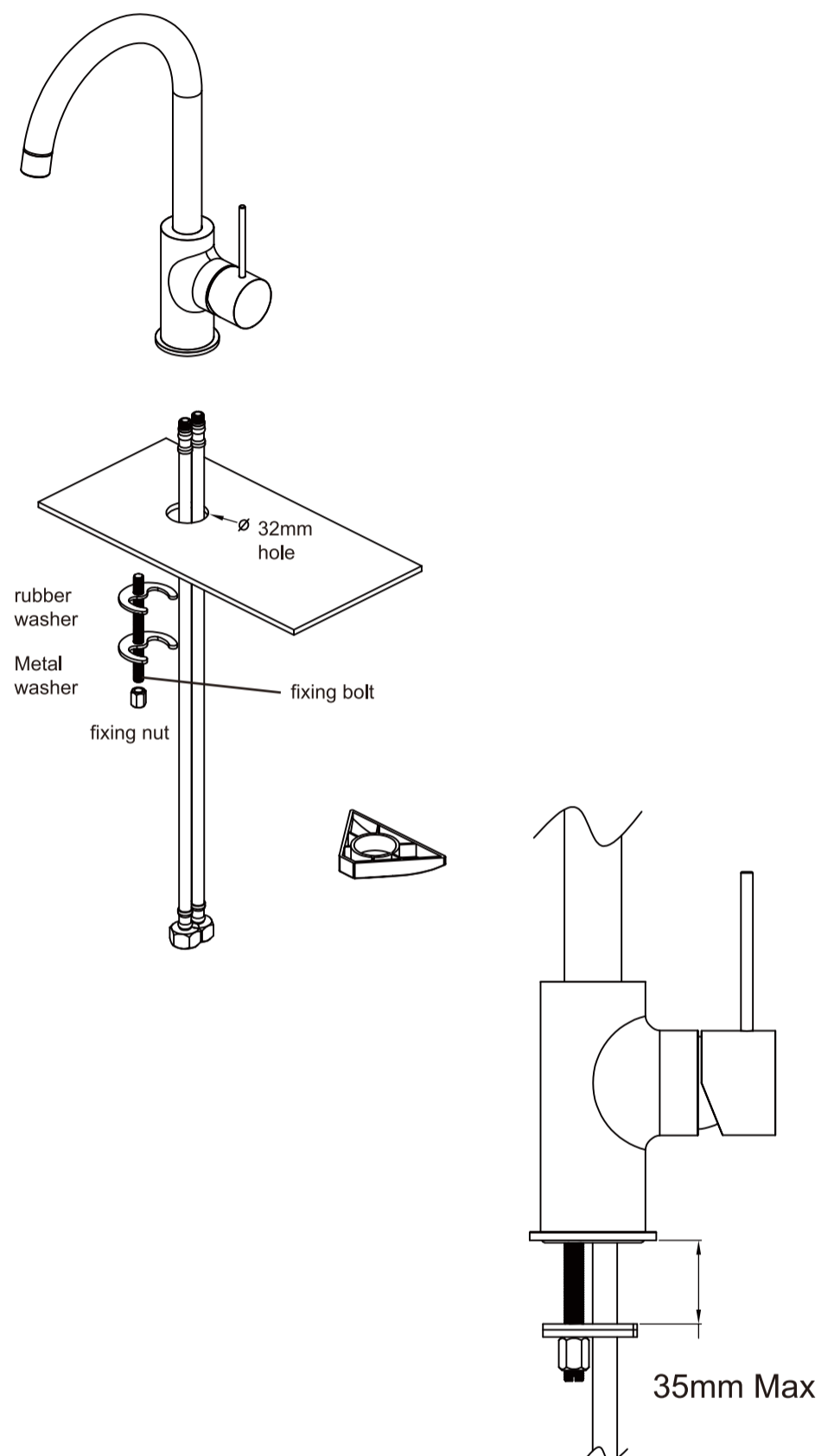
After installation all connections must be checked for leaks.

All outlets used primarily for personal hygiene shall deliver water at a safe temperature as per regional regulations.

This mixer is not recommended for use in uncontrolled heating systems such as wet-backs or solar heating units unless a suitable tempering valve is fitted.

If limited water flow is experienced, locate aerator and filter washers and clean away foreign material as required.

It is the responsibility of the installer to ensure a waterproof seal is achieved between the product and mounting surface. If in doubt about the quality of the seal, remove the product and reinstall.



Installation Instruction:

1. Screw the flexible hoses and fixing bolt into the mixer body, and fully hand tighten.
2. Pass the tail of flexible pipes through the hole on the bench top from above, and place the mixer in position on the bench top. Inspect to see if any alteration to the existing supply pipe work is required. Make any necessary alterations.
3. Compress the metal washer (triangle plate, if needed) and rubber washer through the fixing bolt and against to the under-side of the counter. Then tighten the screw nut by socket wrench.
4. Check that the mixer body is correctly positioned, fully tighten screw and fixing bolt firmly.
5. Connect the water supply pipes to the tail of flexible hoses with the hot water and cold water. Make sure the o-ring in the base ring seals completely around the hole in the mounting surface.
6. Test for any leaks.

Nero

info@nerotapware.com.au
nerotapware.com.au

11-13 Buontempo Road
Carrum Downs Vic 3201

