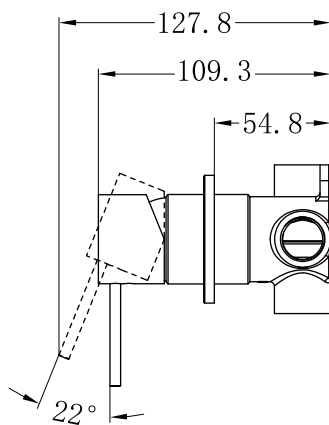
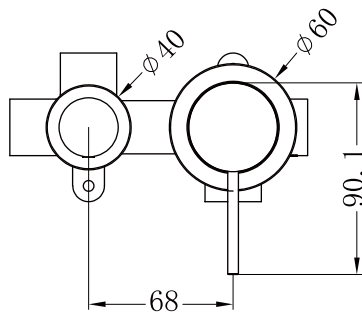


Mecca Shower Mixer With Horizontal 2 Way Divertor



Dimensions are nominal measurements only.



Versions: 2021.11

SPECIFICATION

PRODUCT CODE	YSW2219-09U
WELS RATING	N/A
WATERMARK LICENSE	WM-060073
TEMPERATURE RATING	MIN 1°C-MAX 75°C
PRESSURE RATING	MIN 150KPa-MAX 500KPa

FINISH

	CHROME NR221909uCH		MATTE BLACK NR221909uMB
	BRUSHED NICKEL NR221909uBN		GUN METAL NR221909uGM
	BRUSHED GOLD NR221909uBG		BRUSHED BRONZE NR221909uBZ
	MATTE WHITE NR221909uMW		

MAINTENANCE AND CARE

All surfaces should be cleaned with mild liquid detergent or soap and water.

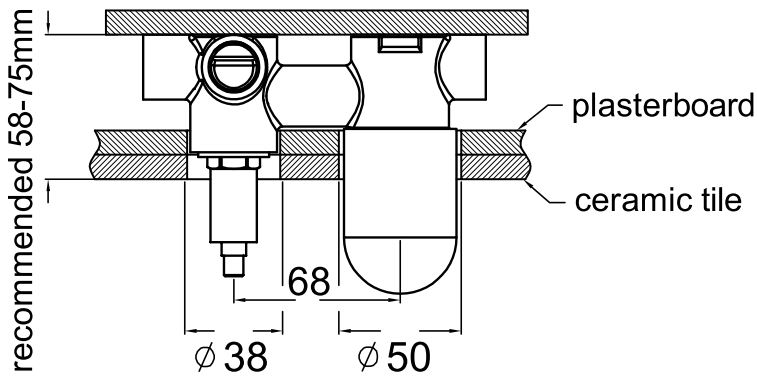
Do not use cream cleaners or citrus based cleaning products, as they are abrasive.

Use of unsuitable cleaning agents may damage the surface. Any damage caused in this way will not be covered by warranty.

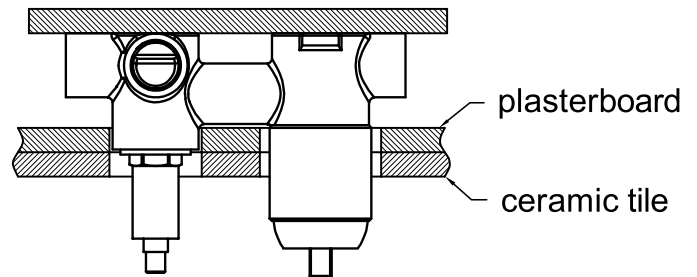
PACKING INCLUDES

- 1x body set
- 1x handle
- 2x plates
- 1x diverter
- 1x accessories pouch

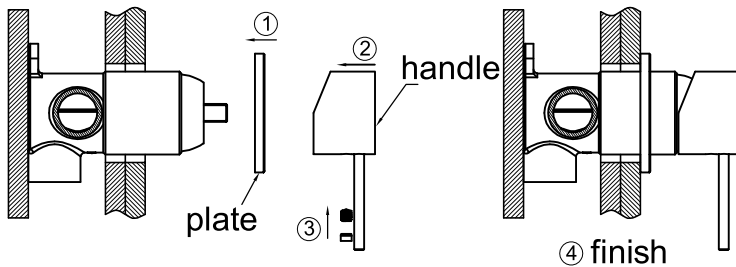
Installation Instruction



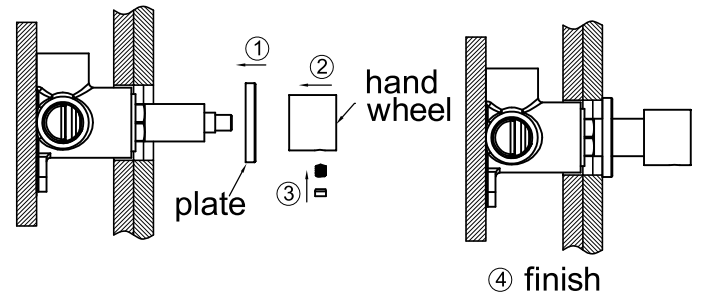
1. Fix body on noggin and ensure install depth is 58-75mm from noggin to ceramic tile.
2. Connect cold water hose and hot water hose and conduct water pressure test for leakage.
3. Install gypsum board and ceramic tile after drilling a $\text{Ø}50$ and a $\text{Ø}38$ holes according to above picture.



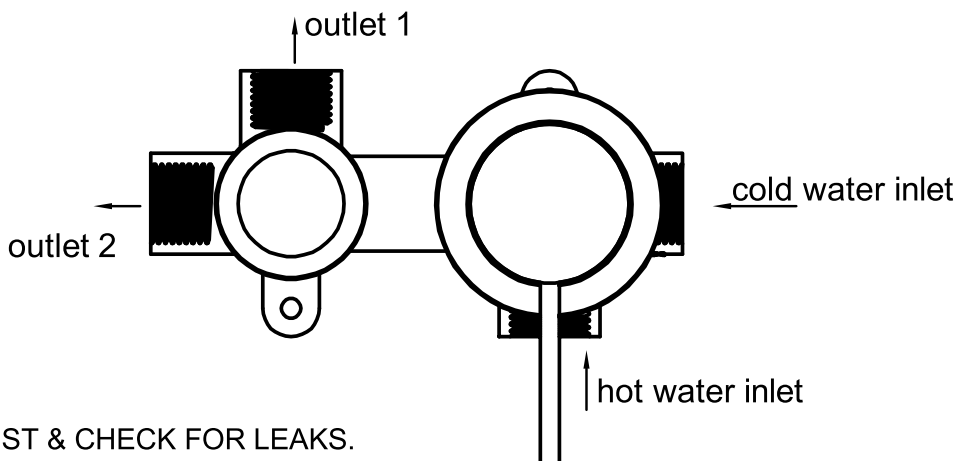
4. Remove the plastic sleeve.



5. Install plate, handle successively, tighten grub screw by hex wrench.



6. Install plate, hand wheel successively, tighten grub screw by hex wrench.



7. TEST & CHECK FOR LEAKS.