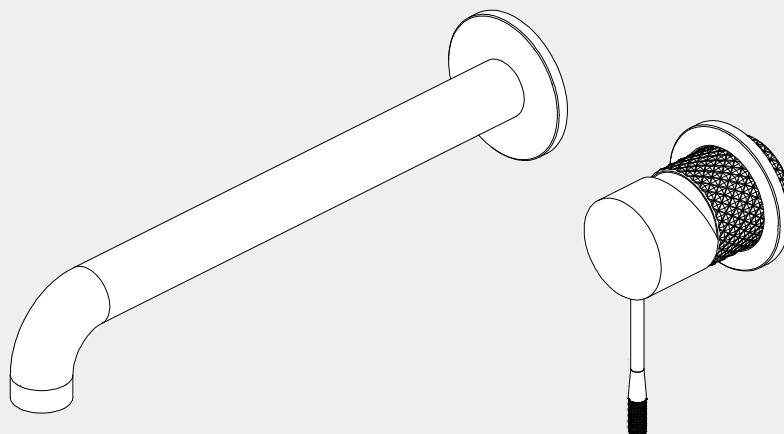


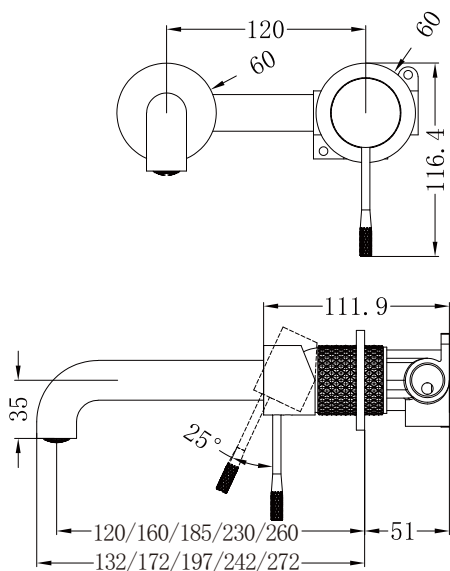
# Opal Wall Basin/Bath Mixer Separate Back Plate

# Nero



Versions:202401

## Drawing



## Specifications

### Watermark License

WM-060073

### Temperature Rating

Min 1°C-Max 75°C

### Pressure Rating

Min 150kpa - Max 500kpa

## Packaging Includes

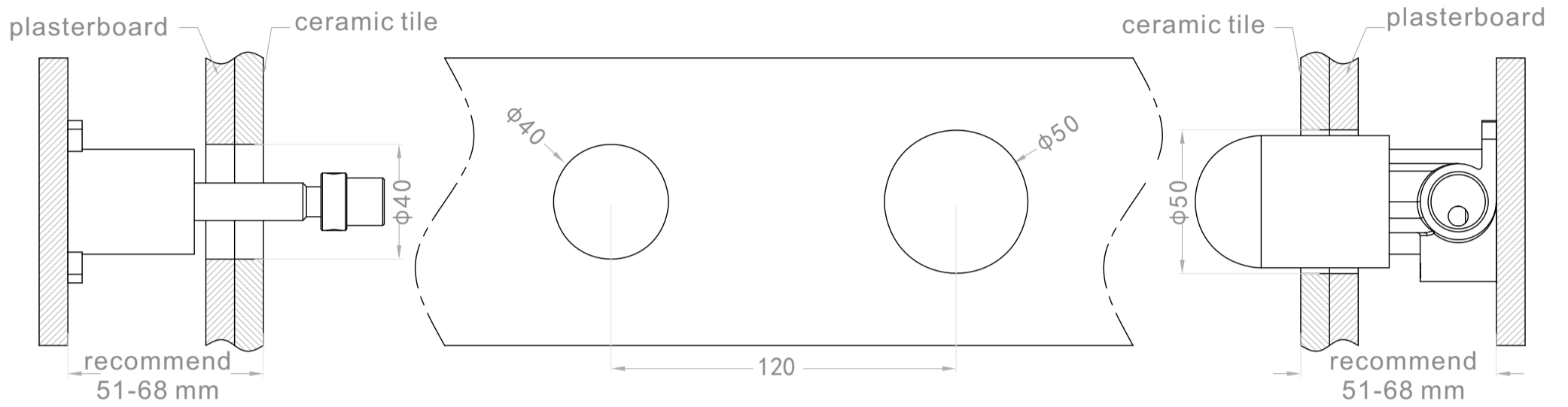
- 1x Mixer Body
- 1x Handle
- 1x Spout
- 2x Plates
- 1x Accessories Pouch
- 1x Aerator Driver
- 1x None Restricted Aerator

## Finish & SKU

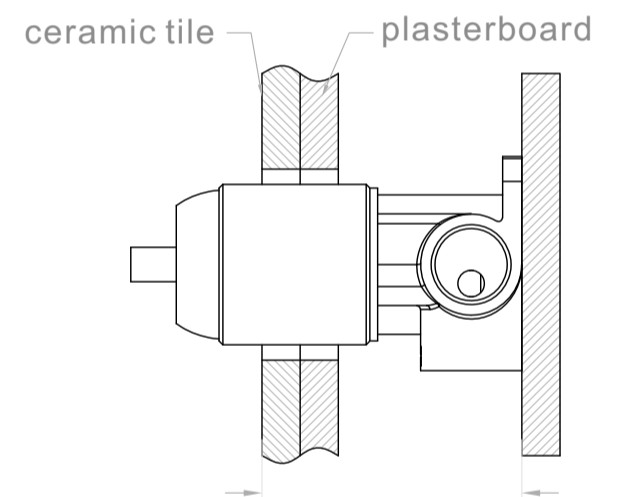
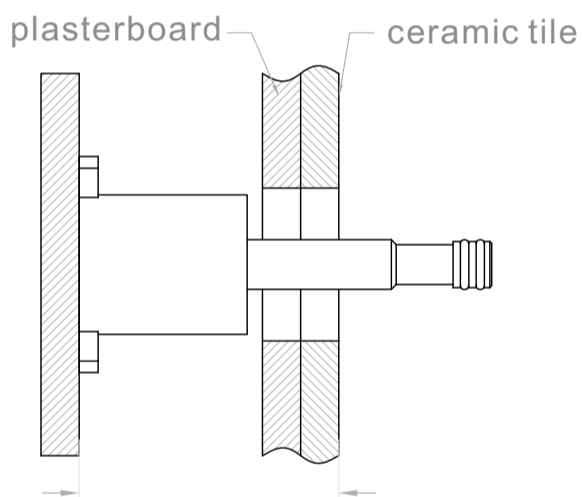
- |  |  |
|--|--|
| <ul style="list-style-type: none"> <li>● <b>Brushed Bronze</b><br/>NR251907bBZ<br/>NR251907b(120/160/230/260)BZ</li> </ul> | <ul style="list-style-type: none"> <li>● <b>Graphite</b><br/>NR251907bGR<br/>NR251907b(120/160/230/260)GR</li> </ul>       |
| <ul style="list-style-type: none"> <li>● <b>Brushed Gold</b><br/>NR251907bBG<br/>NR251907b(120/160/230/260)BG</li> </ul>   | <ul style="list-style-type: none"> <li>● <b>Brushed Nickel</b><br/>NR251907bBN<br/>NR251907b(120/160/230/260)BN</li> </ul> |

\*Dimensions are nominal measurements only.

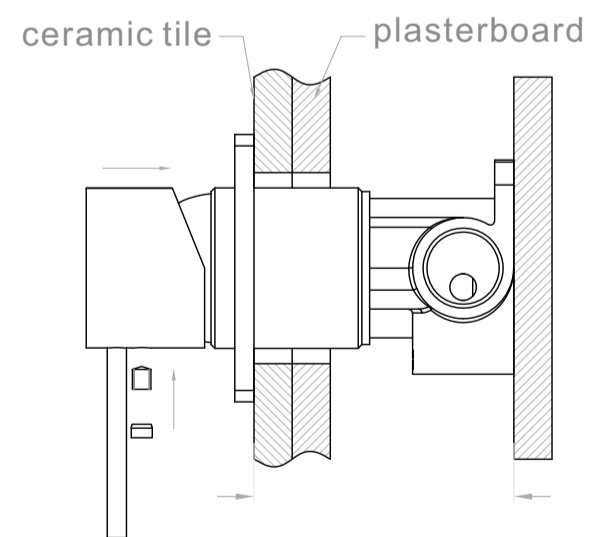
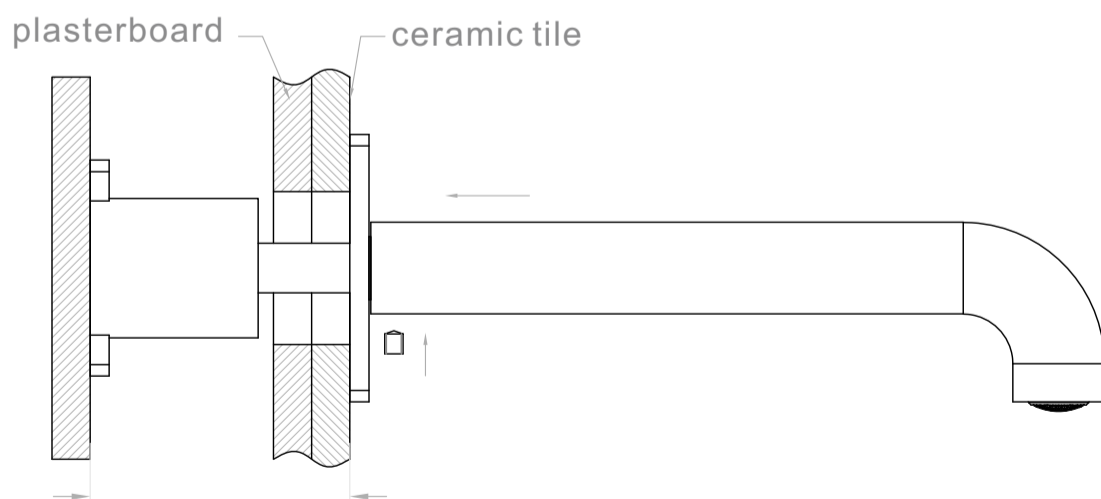
# Installation Instruction



1. Fix body on noggin and ensure installation depth is 51-68mm from noggin to ceramic tile.
2. Connect cold water hose and hot water hose and conduct water pressure test for leakage.
3. Install plasterboard and ceramic tile after drilling a  $\phi 50$  and a  $\phi 40$  hole according to above picture.



4. Remove the plastic sleeve, grub screw and water testing plug.



5. Install washer, plate, spout and handle.

# Nero

info@nerotapware.com.au  
nerotapware.com.au

11-13 Buontempo Road  
Carrum Downs Vic 3201

