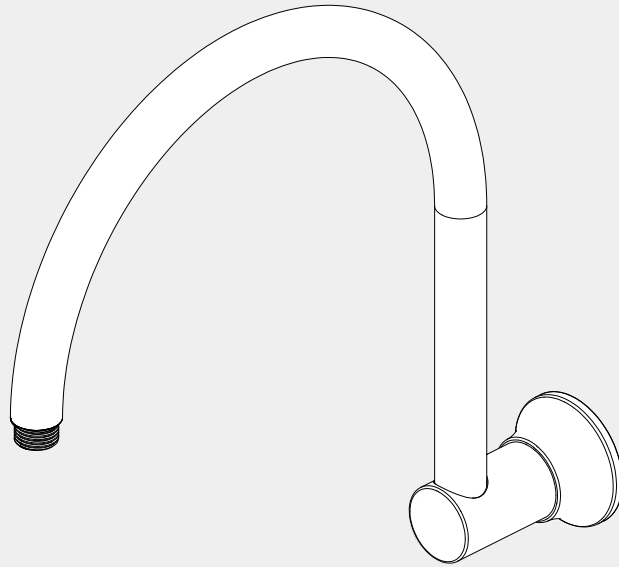


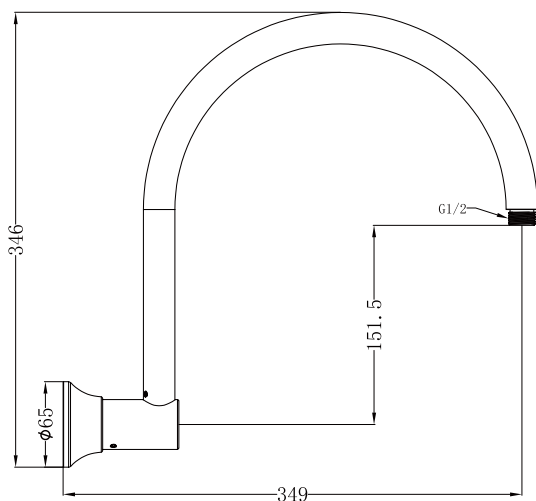
York Shower Arm

Nero



Versions:202401

Drawing



Specifications

Temperature Rating

Min 1°C-Max 75°C


Pressure Rating

Min 150kpa - Max 500kpa

Packaging Includes

1x Shower Arm

Finish & SKU

 Chrome
NR508CH

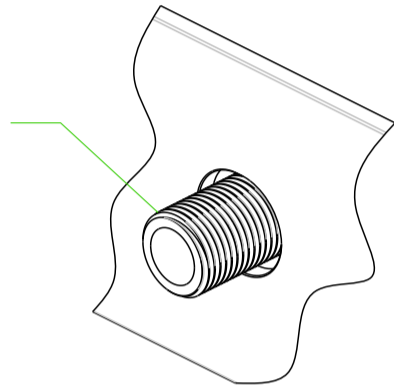
 Matte Black
NR508MB

 Aged Brass
NR508AB

*Dimensions are nominal measurements only.

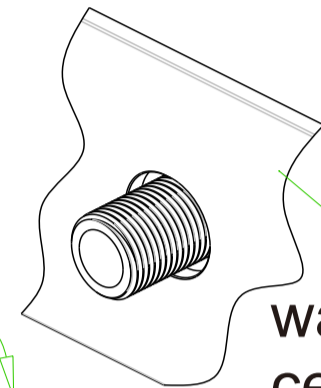
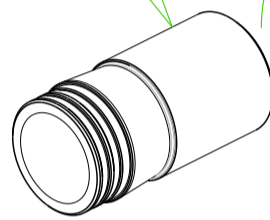
Installation Instruction

G^{1/2} outlet



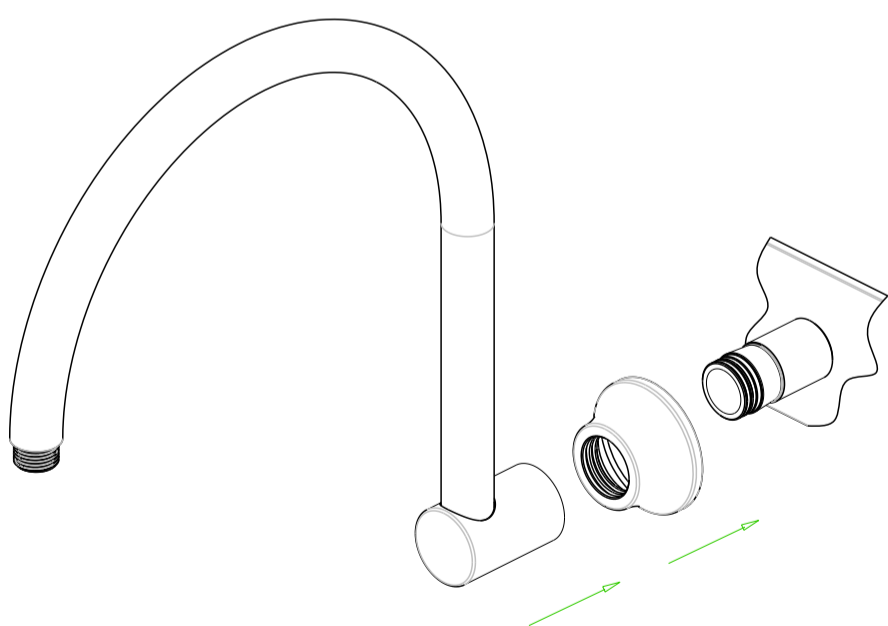
1. Apply thread sealant or teflon tape on outlet thread.

adaptor



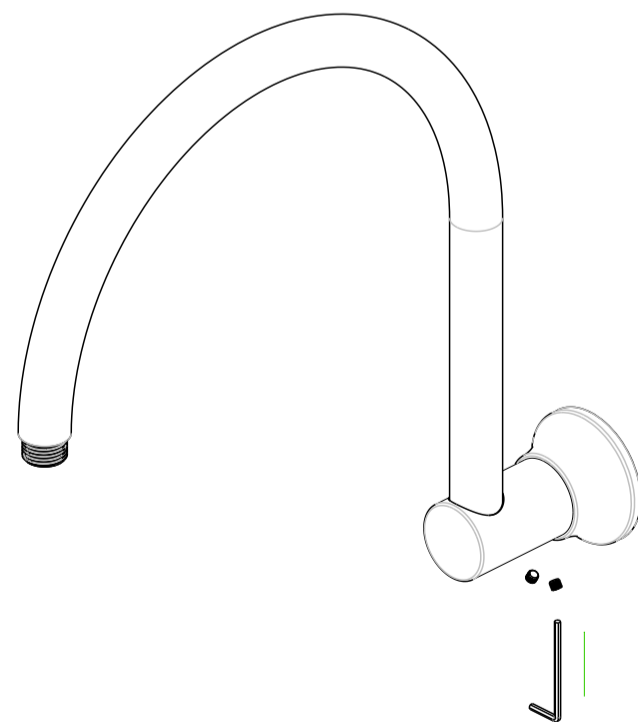
wall/
ceramic tile

2. Screw adaptor on to outlet.
Make sure the face of inlet is flush with wall/ceramic tile face.



3. Pull back plate on together with shower arm.

4. Pull shower arm onto adaptor.
Screw grub screw into spout by wrench and cover by silicone cap.



Nero

info@nerotapware.com.au
nerotapware.com.au

11-13 Buontempo Road
Carrum Downs Vic 3201

